

# SOLID FUEL HEATING QUESTIONNAIRE

POLICY NUMBER \_\_\_\_\_

REPORT DATE

YYYY | MM | DD

PHOTO REQUIRED  YES  NO  
PHOTO ATTACHED  YES  NOINSURANCE  
COMPANY \_\_\_\_\_

INSURED \_\_\_\_\_

AGENT/  
BROKER \_\_\_\_\_

BROKER CLIENT ID# \_\_\_\_\_

## 1. HEATING UNIT

TYPE  ACORN STOVE, BOX, FRANKLIN OR POT BELLY STOVE (LOOSE FITTING OR NO DOORS)  SPACE HEATER  OTHER (SPECIFY) \_\_\_\_\_  
MAKE \_\_\_\_\_  COOKSTOVE  WOOD STOVE, AIRTIGHT  
MODEL \_\_\_\_\_  FIRE PLACE INSERT  WOODSTOVE, NOT AIRTIGHT  
AGE \_\_\_\_\_ YYYY  FIREPLACE, ZERO CLEARANCE  WOOD FURNACE  
 MASONRY FIREPLACE  WOOD FURNACE ADD ON  
 PELLET STOVE  WOOD / OIL COMBINATION

IS THE UNIT CERTIFIED?  YES  NO  
IF YES, BY: \_\_\_\_\_  CANADIAN STANDARDS ASSOCIATION (CSA)  UNDERWRITERS' LABORATORIES OF CANADA (ULC)  
 WARNOCK-HERSEY PROF. SERVICE LTD.  OTHER (SPECIFY) \_\_\_\_\_

ADDRESS OF PREMISES WHERE UNIT IS INSTALLED  PRINCIPLE RESIDENCE  OTHER (SPECIFY) \_\_\_\_\_

WHERE IS THE HEATING UNIT LOCATED?

- ATTACHED GARAGE  DETACHED GARAGE  
 WORKSHOP  
 DWELLING (SPECIFY) \_\_\_\_\_  
 OTHER (SPECIFY) \_\_\_\_\_

IS THE HEATING UNIT  PRIMARY  AUXILIARY HOW OFTEN IS HEATING UNIT USED? NUMBER OF HOURS PER DAY \_\_\_\_\_ NUMBER OF DAYS PER YEAR \_\_\_\_\_FUEL:  WOOD ONLY NUMBER OF CORDS USED ANNUALLY \_\_\_\_\_  FACE CORD (16" x 4' x 8")  
 WOOD AND OIL  PELLET (SPECIFY TYPE) \_\_\_\_\_  STANDARD /BUSH CORD (4' x 4' x 8")  
 OTHER (SPECIFY TYPE) \_\_\_\_\_

IF FUEL IS NOT WOOD, SPECIFY AMOUNT BURNED ANNUALLY \_\_\_\_\_

ARE ASHES DISPOSED OF IN A METAL CONTAINER?  YES  NO IS THE CONTAINER EQUIPPED WITH A METAL LID?  YES  NOIS THE ASH CONTAINER PLACED ON A NON-FLAMMABLE SURFACE?  YES  NO

## 2. CHIMNEY

TYPE  MASONRY CHIMNEY LINING:  FLUE TILE  STAINLESS STEEL  OTHER (SPECIFY) \_\_\_\_\_  
 FACTORY BUILT DOUBLE WALLED METAL CHIMNEY - NAME OF MANUFACTURER \_\_\_\_\_  
INSTALLATION BY PROFESSIONAL?  YES  NO IF YES, NAME OF FIRM \_\_\_\_\_  UNKNOWN  
LABELLED:  
 CANADIAN STANDARDS ASSOCIATION (CSA)  UNDERWRITERS' LABORATORIES OF CANADA  
 WARNOCK-HERSEY PROF. SERVICE LTD.  OTHER (SPECIFY) \_\_\_\_\_  
 CONCRETE  
 OTHER TYPE OF CHIMNEY (SPECIFY) \_\_\_\_\_  
 UNKNOWN  
AGE:  SAME AS HEATING UNIT OR \_\_\_\_\_ YYYY

DOES UNIT SHARE A CHIMNEY FLUE?  YES PROVIDE DETAILS \_\_\_\_\_  
 NOCHIMNEY IS INSTALLED  INSIDE BUILDING  OUTSIDE BUILDING  OUTSIDE BUILDING IN INSULATED ENCLOSURE

HOW MANY TIMES PER YEAR IS THE CHIMNEY CLEANED? \_\_\_\_\_ DATE OF LAST CLEANING? YYYY | MM | DD BY WHOM? \_\_\_\_\_

CLEARANCE OF CHIMNEY TO NEAREST COMBUSTIBLES \_\_\_\_\_  INCHES IS CHIMNEY RATED FOR A CONTINUOUS FLUE GAS TEMPERATURE OF 650°C  YES  NO  UNKNOWN  
 CENTIMETRES

# SOLID FUEL HEATING QUESTIONNAIRE

## 3. CLEARANCES

### IMPORTANT

PLEASE COMPLETE THE FOLLOWING CHART. THE ACTUAL CLEARANCE IS WHAT YOU MEASURE, WHEREAS THE REQUIRED DISTANCE IS THAT SPECIFIED IN THE OWNER'S MANUAL OR ON THE LABEL ATTACHED TO THE HEATING UNIT. THE MEASUREMENTS ARE IN:

INCHES OR  CENTIMETRES

SHORTEST DISTANCE OF STOVE TO:	ACTUAL		REQUIRED
	BACK WALL		
SIDE WALL			
CORNER			
CEILING			
SHORTEST DISTANCE OF STOVE PIPE TO:	BACKWALL		
	SIDEWALL		
	CEILING		
SHORTEST DISTANCE FROM HEATING UNIT TO EDGE OF FLOOR PAD IN:	FRONT		
	LEFT SIDE		
	RIGHT		
	BACK		

IS THERE A THIMBLE WHERE THE PIPE PASSES THROUGH WALL?  YES  NO

TOTAL LENGTH OF ALL STOVE PIPE (INCLUDING ELBOWS) \_\_\_\_\_

NUMBER OF ELBOWS IN STOVE PIPE? \_\_\_\_\_

CONSTRUCTION OF STOVE PIPE:

- DOUBLE WALLED  
 SINGLE WALLED (INCLUDING BLACK STEEL)  
 GALVANIZED  
 OTHER (SPECIFY) \_\_\_\_\_

CONSTRUCTION OF:

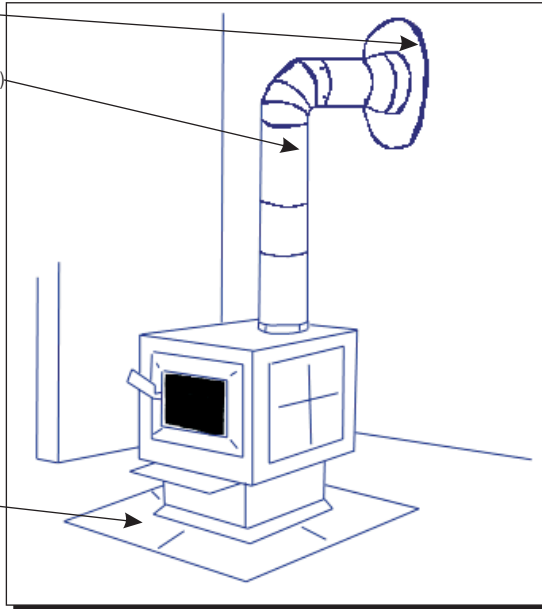
SIDEWALL \_\_\_\_\_

BACKWALL \_\_\_\_\_

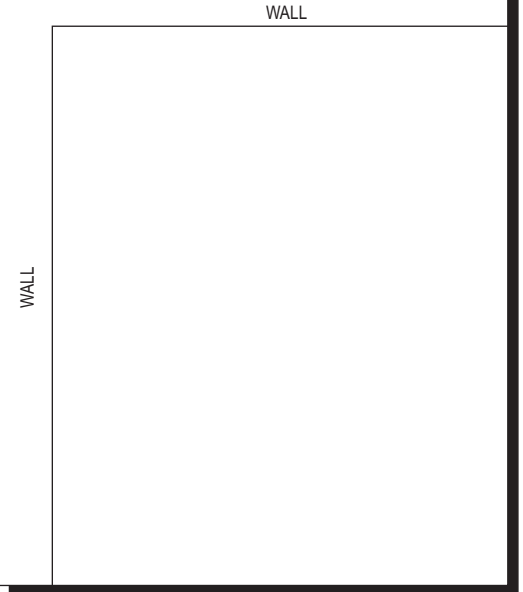
CEILING \_\_\_\_\_

IS THERE A NON-COMBUSTIBLE PAD?  YES  NO

SHORTEST DISTANCE OF UNIT TO FURNITURE, FUEL OR OTHER COMBUSTIBLE MATERIAL: \_\_\_\_\_



DRAW AND LABEL DIAGRAM OF HOW THE UNIT LOOKS



## 4. INSTALLATION

WHO INSTALLED THE HEATING UNIT?  HEATING CONTRACTOR  HOMEOWNER  OTHER (SPECIFY) \_\_\_\_\_

IS THE CONTRACTOR WETT CERTIFIED?  YES  NO

DOES THE STOVE PIPE PASS THROUGH A CONCEALED SPACE/WALL?  YES DESCRIBE \_\_\_\_\_

NO  NOT APPLICABLE

TYPE OF SHIELDING:  SHEET METAL PERMANENTLY INSTALLED?  YES  NO  CERAMIC TILE  BRICK  CONCRETE  OTHER \_\_\_\_\_

DISTANCES ARE IN:  INCHES  CENTIMETRES

DISTANCE FROM WALL TO SHIELD: \_\_\_\_\_ DISTANCE FROM TOP OF STOVE TO TOP OF SHIELD \_\_\_\_\_ DISTANCE FROM HEAT SHIELD TO FLOOR \_\_\_\_\_

ARE THE WALL SPACERS NON-COMBUSTIBLE?  YES  NO IS THERE AN AIR SPACE AT TOP AND BOTTOM?  YES  NO IS THE SHIELD ONE INCH FROM THE WALL?  YES  NO

## 5. OTHER

HAS THE INSTALLATION, INCLUDING CHIMNEY, BEEN INSPECTED BY SOMEONE WHO IS WETT CERTIFIED?  YES  NO (EXPLAIN) \_\_\_\_\_

HAVE ANY MODIFICATIONS BEEN MADE TO THE HEATING UNIT OR CHIMNEY SINCE INSTALLED OR INSPECTED?  YES  NO (EXPLAIN) \_\_\_\_\_

## 6. REMARKS

COMPLETED BY: \_\_\_\_\_

DATE: \_\_\_\_/\_\_\_\_/\_\_\_\_