

OIL HEAT QUESTIONNAIRE



Please attach photographs of tank

BROKER		BROKER NUMBER		POLICY NUMBER	
INSURED				DATE (DD/MM/YY)	
STREET ADDRESS			CITY	PROVINCE	POSTAL CODE

<p>1 Location of tank <input type="checkbox"/> Inside tank <input type="checkbox"/> Outside tank <input type="checkbox"/> Underground</p> <p>How many fuel tanks are on the property? _____ (If two or more oil tanks, a separate questionnaire must be completed for each tank)</p> <p>What is the total storage volume? _____ litres</p> <p>Are there any unused or abandoned tanks on property? <input type="checkbox"/> Yes <input type="checkbox"/> No</p> <p>2 (Refer to the label on tank to answer the following three questions) Type of oil tank <input type="checkbox"/> Steel (10 gauge) <input type="checkbox"/> Steel (12 gauge) <input type="checkbox"/> Steel (14 gauge) <input type="checkbox"/> Fiberglass <input type="checkbox"/> Other _____</p> <p>Name of Manufacturer: _____</p> <p>3 Construction approval label <input type="checkbox"/> CSA <input type="checkbox"/> ULC <input type="checkbox"/> WH <input type="checkbox"/> UL (Canadian Standards) <input type="checkbox"/> None <input type="checkbox"/> Unknown <input type="checkbox"/> Homemade</p> <p>4 Age of oil tank: Manufacturer sticker Tank installation year: year: year: year:</p> <p>Was the tank new when installed? <input type="checkbox"/> Yes <input type="checkbox"/> No Has the tank been painted since date of purchase? <input type="checkbox"/> Yes <input type="checkbox"/> No</p> <p>5 Oil tank support <input type="checkbox"/> Concrete slab <input type="checkbox"/> Concrete stone <input type="checkbox"/> Wood <input type="checkbox"/> Other _____</p> <p>6 Spill protection <input type="checkbox"/> None <input type="checkbox"/> Concrete dam <input type="checkbox"/> Other _____</p> <p>7 What is the grade of the property? <input type="checkbox"/> Level lot <input type="checkbox"/> Slow incline <input type="checkbox"/> Steep incline</p> <p>8 Is there a water source (including well) near or on the property? <input type="checkbox"/> Yes <input type="checkbox"/> No If "Yes", what type of source? <input type="checkbox"/> Natural <input type="checkbox"/> Well What is the distance from the tank to the water source? _____ km</p>	<p>9 Where is the fuel line located? <input type="checkbox"/> Above ground <input type="checkbox"/> Under ground</p> <p>10 For outdoor tanks, is there a loop in the fuel line? <input type="checkbox"/> Yes <input type="checkbox"/> No</p> <p>11 Does the fuel line pass through the ground, basement floor, or foundation? <input type="checkbox"/> Yes <input type="checkbox"/> No If "Yes", is the line protected? <input type="checkbox"/> Yes <input type="checkbox"/> No If "Yes", what is the protector type? <input type="checkbox"/> Plastic <input type="checkbox"/> Steel <input type="checkbox"/> Other _____</p> <p>12 How often is the tank inspected or serviced by a certified or licensed oil- heating contractor? Name of the heating contractor _____ How often is the filter replaced? Every _____ Month(s)</p> <p>13 Is the vent pipe installed higher than the fill pipe? <input type="checkbox"/> Yes <input type="checkbox"/> No Are the fill & vent pipes clear of all debris? <input type="checkbox"/> Yes <input type="checkbox"/> No</p> <p>14 Is there any tank rust, dents or evidence of corrosion? <input type="checkbox"/> Yes <input type="checkbox"/> No Are there any signs of leaks or spills? <input type="checkbox"/> Yes <input type="checkbox"/> No If "Yes", <input type="checkbox"/> Current spills <input type="checkbox"/> Past spills</p> <p>15 Is the tank filled regularly, even in the summer months? <input type="checkbox"/> Yes <input type="checkbox"/> No Is there airspace around the tank to prevent condensation? <input type="checkbox"/> Yes <input type="checkbox"/> No</p> <p>16 Is the tank clear of materials and/or storage? <input type="checkbox"/> Yes <input type="checkbox"/> No Is the tank safe from vehicle impact? <input type="checkbox"/> Yes <input type="checkbox"/> No</p> <p>17 For indoor tanks, what is the distance from the fuel tank to furnace? _____ feet Is the tank at least 5 feet from an ignition source (i.e. woodstove, wood furnace, hot water heater)? <input type="checkbox"/> Yes <input type="checkbox"/> No</p>
--	--

Comments _____

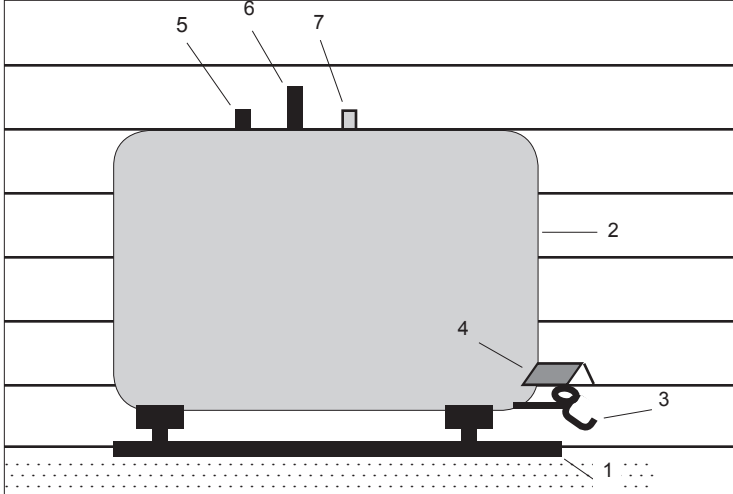
Authorized Signature _____ Date _____

For Company Use Only		
LOCATION #	NAME	DATE

OIL HEATING DIAGRAMS

Outside and Inside Tank Installation

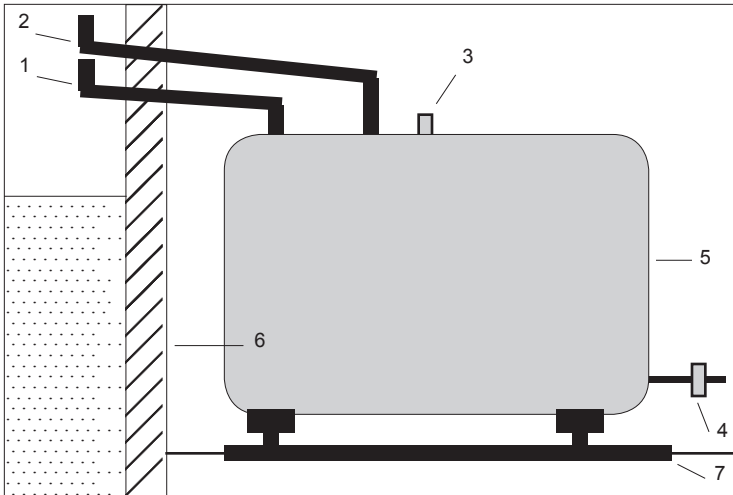
Outdoor Domestic Fuel Tank



Fuel Tank Components

1. **Stable Base:** Preferably concrete slab or concrete stones
2. **Construction Approval Label:** ULC, CSA, UL or WH
3. **Fuel Line:** Loop (sloped downwards) or slack allows movement during season changes
4. **Line Guard/Protector:** Installed to protect fuel line (optional feature)
5. **Fill Pipe:** Used for fuel delivery
6. **Vent Pipe:** Allows for proper ventilation
7. **Fuel Gauge:** Measures fuel level inside of tank

Indoor Domestic Fuel Tank



Fuel Tank Components

1. **Fill Pipe:** Clear of debris and located above the snow line
2. **Vent Pipe:** Allows for proper ventilation
3. **Fuel Gauge:** Measures fuel level inside of tank
4. **Fuel Supply Line and Filter:** Protected from physical damage
5. **Construction Approval Label:** ULC, CSA, UL or WH
6. **Inspection Space:** Sufficient room to view each side of tank
7. **Stable Base:** Preferably concrete slab